



FWS-50-65 TP2 NORMAL SPIN

G FORCE = 200 | 50 - 65 LBS

RELIABILITY AND ROBUSTNESS

WITHIN REACH OF ALL.



CHARACTERISTICS

- G Force = 200.
- Drum and jacket in AISI-304 stainless steel.
- Unit exterior manufactured in sandwich board, colour grey, stainless steel appearance, easy to clean, and which does not reflect fingerprints.
- Detergent tray with 4 compartments.
- 8 signals for automatic liquid dosing, programmable in time and delay. 6 extra signals available optionally.
- 3 standard water inlets.
- Variable-frequency drive (standard 50-60 Hz). Balancing system controlled by the same drive.
- New second-generation TOUCH PLUS programmer with 7" touch screen in colour, 37 available languages and which lets you create an indefinite number of programs (20 pre-set), as well as play videos.
- Allows programming, importing and exporting of programs and software updates via USB.
- CONNECTIVITY. IoT - FagorKonnnect. Remote technical service. Management of laundries: OPL and COIN. Remote payment.
- EFFICIENT MIX. These machines are equipped with an automatic water mixer (mixing different water temperatures) which provides energy savings and reduces washing times.
- BALANCE CONTROL. Thanks to an advanced technological development, and by means of the inverter, the washers detect the imbalance at an early stage. This way the operation is much smoother, elongating components lifetime and reducing

washing times, thus saving energy as well.

- MULTICHOICE INLET. All washers are equipped with a third water inlet as standard, which allows you to save filling time, or which can be used for decalcified water, ozone or recycled water.
- WET CLEANING. All washers incorporate the necessary features to use the WET CLEANING system as standard, avoiding investment in expensive applications to work with this advanced washing concept. This feature replaces most dry-cleaning washing systems, bringing maximum reduction in costs.
- The programmer includes the characteristics to create any Wet Cleaning program (modifiable water levels and washing speed).
- MAINTENANCE KARE. A simple and reliable design with easy-to-access mechanical parts that combines perfectly with the use of intelligent electronics. All components have been designed and manufactured with top quality and prestige, focusing on optimum accessibility for all points and components key to maintenance. Moreover, all the controls have been developed down to the finest detail: complete technical menus, fault self-diagnosis systems, alarms, restricted access areas, etc.
- OPTIMIZED DRUM. This system has been developed to improve wash quality to the maximum and to do it in as short a time as possible. Through a series of perforations in the paddles of the machine, a water

cascade effect is achieved which increases the mechanical action of the drum during operation and greatly reduces the amount of water needed for each wash. The effective design of the drum and tank with minimal spaces between them, allows the energy consumption necessary to heat the water, as well as the superfluous use of chemical products, to be reduced.

- OPTIMAL CONSUMPTION. All washers are equipped with an efficient system by means of which you can indicate the load which is introduced in the machine. The washer automatically adapts the quantity of water and chemicals to be used for that load.
- "LOADING AID" system. Water inlet and spin control for loading the linen.
- The standard model can be converted to self-service by installing a pay station kit, coin mechanism kit or other payment system. RS-485 communication.
- Washers compatible with water recovery tanks.

OPTIONS:

- Anchoring base as an option for correct fixation to the floor.
- Unit exterior in AISI-304 stainless steel.
- Front panels in AISI-304 stainless steel.
- Double drain kit to recover the water, with important savings.
- NC Option: drain normally closed.
- Reversible door opening.
- Silicone seal for 50 and 65 lbs models.
- 6 extra signals for dosing
- Timed opening system.
- Printer.
- Shower system: water recirculation for very delicate linen (wet cleaning complement).
- Marine electric versions for ships.
- Tropicalised models with protective covering for the electronics system.
- SLUICE option. Essential for wash processes of sheets and other fabrics with solid contamination. Ø 8 mm perforations in the drum which facilitate the outlet of solid waste.



SUMMIT™
SummitLaundry.com

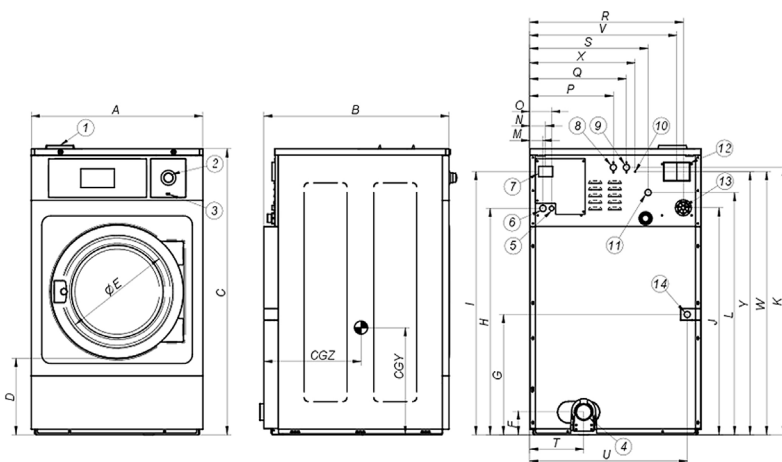
Call 855-Summit9
Sales@SummitLaundry.com
120 Spagnoli Rd, #1B
Melville, NY 11747



TECHNICAL DATA

	UNIT.	FWS-50	FWS-65
DRUM			
Load capacity 1:9 / 1:10	lbs	55.1/48.5	68/61
Volume	CU.FT	7.8	9.9
Diameter	in	27.6	30.3
Depth	in	22.1	23
GENERAL DATA			
Wash speed / Spin speed	r.p.m.	50/714	48/682
G Force	-	200	200
Maximum force transmitted	kN	3,04 ±5	3,68 ± 6
Dynamic force frequency	Hz	8.42	8.02
Noise level	dB	< 70	< 70
Self-service version	-	Yes	Yes
Double drain	-	Opt	Opt.
Weighing system	-	No	No
SLUICE option	-	Yes	Yes
DOOR			
Height door centre / Height door base	in	25,8/13,7	25.8/13.7
Diameter	in	18,11	18,11
POWER			
Motor	Hp	2,95	5,36
Heating electric mod.	kW	12	18
Maximum electrical power	kW	12,75	19,2
Maximum steam and hot water power	kW	2,2	4
CONNECTIONS			
		ELECTRIC	STEAM / HOT WATER
Voltage 230V - I + N	Nº x mm ² / A	2x16+T / 63A	2x4+T / 32A
Voltage 230V - III	Nº x mm ² / A	3x6+T / 40A	-
Voltage 400V - III + N	Nº x mm ² / A	4x4+T / 32A	-
		ELECTRIC	STEAM / HOT WATER
Steam inlet (Steam mod.)	inch	1/2"	3/4"
Maximum steam consumption (Steam. mod.)	lbs/h	26,45	33,06
Water inlet	inch	3/4"	3/4"
Grid pressure	kg/cm ²	2-4	2-4
Maximum water consumption *	Gal/h	31.7	31.7
Drain	mm/inch	3"	3"
Drainage capacity	gal/min	52.8	52.8
DIMENSIONS / DIMENSIONS WITH PACKAGING			
Width / Width	in	31.0/34.7	34.8/36.6
Depth / Depth	in	37.4/44.9	42.2/49.6
Height / Height	in	51.5/60.0	52.8/60.0
Net weight / Gross weight	lbs	661.5/705.6	804.8/871.0
Gross volume (with packaging)	ft3	53.0	63.6

* Program n° 20, 75 % load.



- ① Soap dispenser.
- ② Emergency stop.
- ③ USB port.
- ④ Drain.
- ⑤ Electrical connection to liquid soap pumps.
- ⑥ Electrical connection.
- ⑦ Main switch.
- ⑧ Auxiliary water inlet.
- ⑨ Hot water inlet.
- ⑩ Earth connection.
- ⑪ Cold water inlet.
- ⑫ Water overflow.
- ⑬ Connection for liquid soap.
- ⑭ Steam connection.

	A	B	C	D	E	F	G	H	I	J	K	L	M	N	O	P	Q	R	S	T	U	V	W	X	Y	CGY	CGZ
FWS-50TP2	31,02	38,20	51,46	13,70	18,11	4,25	21,73	40,75	47,36	40,87	48,11	43,58	2,40	2,91	3,98	15,16	17,52	27,80	21,42	9,80	28,50	26,61	47,36	19,09	47,32	18,86	24,03
FWS-65TP2	34,80	42,16	52,76	15,75	18,11	5,71	21,57	41,85	48,43	41,93	49,21	44,68	2,40	2,91	3,98	16,85	20,00	31,54	25,16	10,55	32,28	30,35	48,03	23,62	50,39	23,27	23,45