



# FWH-230C-275C TP2 HIGH SPIN

G FORCE = 350

MAXIMUM EFFECTIVENESS,  
ENERGY SAVING AND RESPECT FOR THE ENVIRONMENT



## CHARACTERISTICS

- G Force = 350
- Drum and jacket in AISI-304 stainless steel.
- Detergent dispenser with 5 compartments.
- Unit exterior manufactured in AISI-304 stainless steel.
- 8 signals for automatic liquid dosing, programmable in time and delay. 6 extra signals available optionally.
- 3 standard water inlets.
- Variable-frequency drive (standard 50-60 Hz). Balancing systems controlled by the same drive.
- New second-generation TOUCH PLUS programmer with 7" touch screen in colour, 37 available languages and which lets you create an indefinite number of programs (29 pre-set), as well as play videos.
- Allows programming, importing and exporting of programs and software updates via USB.
- Traceability as standard: the whole wash process (temperatures, water levels) is stored on the washer and is extractable to a PC by USB memory.
- The programmer includes the characteristics to create any Wet Cleaning program (modifiable water levels and washing speed).
- EFFICIENT MIX. Equipped with an automatic mixing system of water at different temperatures; all the washers provide energy savings and reduce washing times.
- BALANCE CONTROL. Thanks to an advanced technological development, and by

means of the inverter, the washers detect the imbalance at an early stage. This way the operation is much smoother, elongating components lifetime and reducing washing times, thus saving energy as well.

- MULTICHOICE INLET. All washers are equipped with a third water inlet as standard, which allows you to save filling time, or which can be used for decalcified water, ozone or recycled water.
- WET CLEANING. All washers incorporate the necessary features to use the WET CLEANING system as standard, avoiding investment in expensive applications to work with this advanced washing concept. This feature replaces most dry-cleaning washing systems, bringing maximum reduction in costs.
- MAINTENANCE KARE. A simple and reliable design with easy-to-access mechanical parts that combines perfectly with the use of intelligent electronics. All components have been designed and manufactured with top quality and prestige, focusing on optimum accessibility for all points and components key to maintenance. Moreover, all the controls have been developed down to the finest detail: complete technical menus, fault self-diagnosis systems, alarms, restricted access areas, etc.
- OPTIMISED DRUM. This system has been developed to improve wash quality to the maximum and to do it in as short a time as possible. Through a series of perforations in the paddles of the drum, a water cascade effect is achieved which considerably increases the

mechanical action inside the drum during operation and greatly reduces the amount of water needed for each wash. The effective design of the drum and tank with minimal spaces between them, allows the energy consumption necessary to heat the water, as well as the superfluous use of chemical products, to be reduced.

- OPTIMAL CONSUMPTION. All washers are equipped with an efficient system by means of which you can indicate the load which is introduced in the machine. The washer automatically adapts the quantity of water and chemicals to be used for that load.
- "LOADING AID" system. Water inlet and spin control for loading the linen.

### OPTIONS:

- Unit exterior in AISI-304 stainless steel.
- Front panels in AISI-304 stainless steel.
- Double drain kit to recover the water, with important savings.
- Reversible door opening.
- 6 extra signals for dosing.
- AUTO WEIGHT Automatic linen weighing system. Up to 30% savings. (Automatic adjustment of water and soap consumptions as well as energy savings, according to the load inserted, measured automatically by the washer).
- Timed opening system.
- Printer.
- Marine electric versions for ships.
- Tropicalised models with protective covering for the electronics system.
- Shower system: water recirculation for very delicate linen (wet cleaning complement).
- Tilt system - forwards and backwards for easy loading and unloading of linen.
- Weight detection system in the feet (not compatible with tilt system).



**SUMMIT**  
SummitLaundry.com

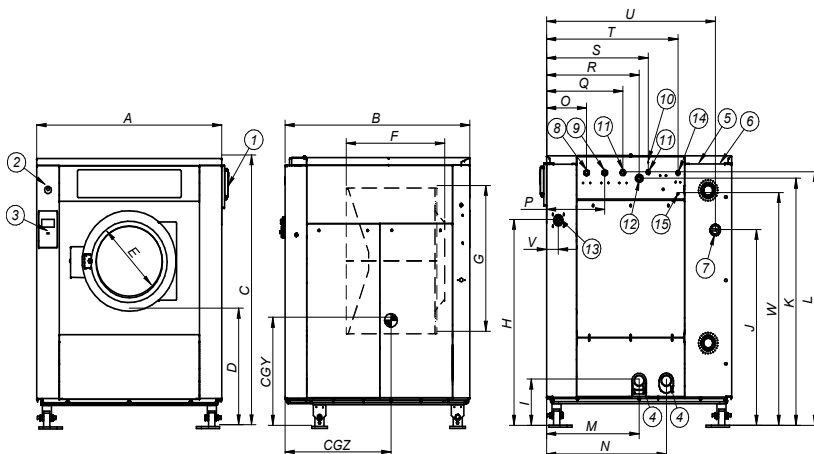
Call 855-Summit9  
Sales@SummitLaundry.com  
120 Spagnoli Rd, #1B  
Melville, NY 11747



TECHNICAL DATA

	UNIT.	FWH - 230C TP2			FWH - 275C TP2		
<b>DRUM</b>							
Load capacity 1:9 / 1:10	lb	231/209			286 / 253		
Volume	CU.FT	33,54			40,61		
Diameter	in	53,54			53,54		
Depth	in	20,07			30,51		
<b>GENERAL DATA</b>							
Wash speed / Spin speed	r.p.m.	34 / 678			34 / 678		
G Force	r.p.m.	350			350		
Maximum force transmitted	KN	37,77 ±5,25			37,77 ±5,25		
Dynamic force frequency	Hz	11,33			11,33		
Noise level	dB	< 70			<70		
Self-service version	-	No			No		
Double drain	-	Opt.			Opt.		
Weighing system	-	Opt.			Opt.		
<b>DOOR</b>							
Height door centre / Height door base	in	52,36 / 35,43			52,36 / 35,43		
Diameter	in	27,55			27,55		
<b>POWER</b>							
Motor	Hp	20,39			20,39		
Heating electric mod.	kW	-			-		
Maximum electrical power	kW	-			-		
Maximum steam and hot water power	kW	15			15		
<b>CONNECTIONS</b>							
		ELECTRIC	HOT WATER	STEAM	ELECTRIC	HOT WATER	STEAM
Voltage 230V- III + G	Nº x mm² / A	-	3x25+G - 80A	3x25+G - 80A	-	3x25+G - 80A	3x25+G - 80A
Voltage 440 V- III + N + G	Nº x mm² / A	-	4x10+G - 50A	4x10+G - 50A	-	4x10+G - 50A	4x10+G - 50A
Steam input (Steam mod.)	inch		1-1/4"			1-1/4"	
Maximum steam consumption (Steam mod.)	lbs/h		58,42			58,42	
Water inlet	inch		1-1/2"			1-1/2"	
Grid pressure	kg/cm²		2-4			2-4	
Maximum water consumption *	Gal/h		1,58			1,58	
Drain	inch		3"			3"	
Drainage capacity	gal/min		132,08			132,08	
<b>DIMENSIONS / DIMENSIONS WITH PACKAGING</b>							
Width / Width	in	72,28 / 74,9			72,28 / 74,8		
Depth / Depth	in	65,0/80,0			73.34 / 80.00		
Height / Height	in	88,5 / 90,2			88,38 / 90,15		
Net weight / Gross weight	lb	8708 / 9038			8708 / 9038		
Gross volume (with packaging)	ft3	311,8			311.8		

\* Program n° 2, 100 % load.



- 1- SOAP DISPENSER
- 2- EMERGENCY STOP
- 3- USB PORT
- 4- DRAIN
- 5- ELECTRIC CONNECTION TO LIQUID SOAP PUMPS
- 6- ELECTRICAL CONNECTION
- 7- MAIN SWITCH
- 8- AUXILIAR WATER INLET
- 9- HOT WATER INLET
- 10- EQUIPOTENTIAL CONNECTION
- 11- COLD WATER INLET
- 12- STEAM OUTPUT
- 13- LIQUID SOAP CONNECTION
- 14- STEAM CONNECTION
- 15- AIR INTAKE
- 16- ETHERNET PORT

	A	B	C	D	E	F	G	H	I	J	K	L	M	N	O	P	Q	R	S	T	U	V	W	CGY	CGZ
FWH-230C TP2	69,48	64,96	88,38	37,20	27,55	31,18	53,14	68,50	13,22	70,11	80,23	83,07	26,57	42,99	19,44	24,96	30,47	37,55	39,13	48,77	64,80	6,49	80,66	33,58	40,35
FWH-275C TP2	69,48	72,12	88,38	37,20	27,55	36,61	53,14	68,50	13,22	70,11	80,23	83,07	26,57	42,99	19,44	24,96	30,47	37,55	39,13	48,77	64,80	6,49	80,66	33,58	44,48