



FWS- 80C TP2 FWS-100C TP2

NORMAL SPIN

HARD MOUNT WASHERS
G FORCE = 200 | 80 - 100 lbs

RELIABILITY AND ROBUSTNESS
WITHIN REACH OF ALL.



FEATURES

- G Force = 200.
- Hard-mounted machines. Require anchoring to the floor.
- Drum and jacket in AISI-304 stainless steel.
- Front and top panels manufactured in stainless steel. Side panels in skinplate.
- Detergent tray with 4 compartments.
- 8 signals for automatic liquid dosing, programmable in time and delay. 6 extra signals available optionally.
- Variable-frequency drive (standard 50-60 Hz)
- New TOUCH PLUS programmer (TP2) with a 7" color touch screen, and 37 available languages. TP2 lets you create an infinite number of programs (29 pre-set), as well as play videos.
- TP2 allows programming, importing and exporting of programs and software updates via USB.
- Traceability as standard: temperatures, water levels, etc. are stored on the washer and is extractable to a PC by USB memory.
- All washers are WET CLEANING ready. The TP2 control allows you to create any wet cleaning program (adjustable water levels and wash speed).
- EFFICIENT MIX. These machines are equipped with an automatic water mixer (mixing different water temperatures) which provides energy savings and reduces washing times.
- BALANCE CONTROL: detects the imbalance at an early stage. This way the operation is much smoother, extending components lifetime, and saving time and energy.
- MULTICHOICE INLET: 3 standard water inlets. All washers are equipped with a third water inlet to speed filling time, for decalcified water, ozone, or recycled water.
- MAINTENANCE KARE: A simple design, focused in optimum accessibility; with easy-to-access mechanical and electronic parts. key to easy maintenance.
- The TP2 control provides a complete technical menu, self-diagnosis systems, alarms, restricted access areas, etc.
- OPTIMIZED DRUM: The special perforations in the paddles of the drum create a water cascade effect that considerably increases the mechanical action and reduces the amount of water in each wash. The effective design of the drum and tank with minimal spaces between them, reduces the energy consumption to heat the water and the excessive use of chemical products.
- OPTIMAL CONSUMPTION. All washers are equipped with an efficient system that sense the load weight and automatically adapts the quantity of water and chemicals needed.

OPTIONS:

- Anchoring base.
- Exterior panels in AISI-304 stainless steel.
- Front panels in Skinplate
- Double drain kit to recover water.
- NC Option: drain normally closed.
- Reversible door opening.
- 6 extra signals for dosing
- Timed opening system.
- Printer.
- Shower system: water recirculation for very delicate linen (wet cleaning complement).
- Marine electric versions.
- Protective covering for the electronics system.
- SLUICE option. Essential for fabrics with solid contamination. The Ø 8 mm perforations in the drum facilitate the removal of solid waste.



SUMMIT™
SummitLaundry.com

Call 855-Summit9
Sales@SummitLaundry.com
120 Spagnoli Rd, #1B
Melville, NY 11747





TECHNICAL DATA

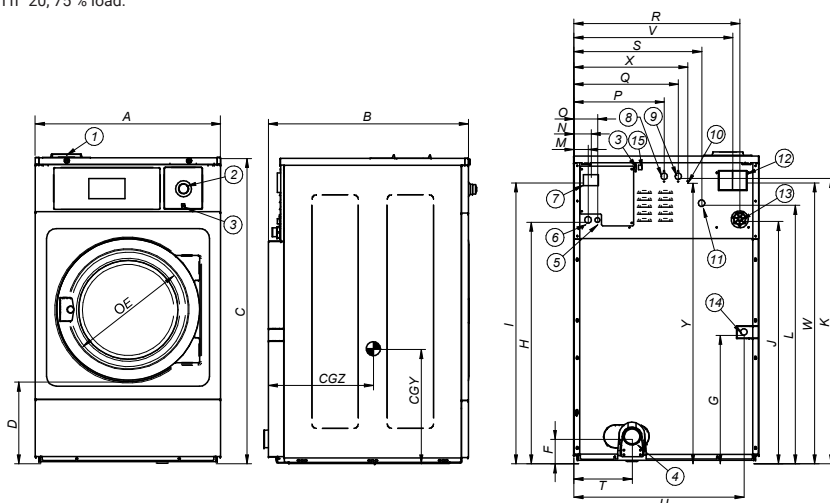
UNIT.

FWS - 80C TP2

FWS - 100C TP2

DRUM			FWS - 80C TP2	FWS - 100C TP2	
Load capacity 1/9 - 1/10	lbs		86-77	103-93	
Volume	cu ft		12.36	14.83	
Diameter	in		33.85	33.85	
Depth	in		23.7	28.5	
GENERAL DATA					
Wash speed / Spin speed	rpm		45/644	45/644	
G Force	-		200	200	
Maximum force transmitted	kN		4.59 ±8	4.59 ±8	
Dynamic force frequency	Hz		7.58	7.58	
Noise level	dB		< 70	< 70	
Self-service version	-		Yes	Yes	
Double drain	-		Opt.	Opt.	
Weighing system	-		No	No	
SLUICE option	-		Yes	Yes	
DOOR					
Height door centre / Height door base	in		28.9 / 17.3	28.9 / 17.3	
Diameter	in		22	22	
POWER					
Motor	Hp		4	6	
Heating (electric heating model)	kW		21	21	
Maximum power (electric heating model)	kW		22	22	
Maximum power (steam and hot water model)	kW		4	6	
CONNECTIONS					
		ELECTRIC	STEAM / HOT WATER	ELECTRIC	STEAM / HOT WATER
208-240V / 50-60 Hz / 1	FLA (Amps)	-	20	-	20
208-240V / 50-60 Hz / 3	FLA (Amps)	63	16	63	16
440V / 50-60 Hz / 3	FLA (Amps)	40	-	40	-
Steam inlet (Steam mod.)	in		3/4"		3/4"
Maximum steam consumption (Steam, mod.)	lbs/h		40		40
Water inlet	in		3/4"		3/4"
Grid pressure	kg/cm ²		2-4		2-4
Maximum water consumption *	gal/h		52.72		52.72
Drain	in		3"		3"
Drainage capacity	gal/min		52.8		52.8
DIMENSIONS / DIMENSIONS WITH PACKAGING					
Width / Width w/pack	in		38.50 / 42.00		38.50 / 42.00
Depth / Depth w/pack	in		42.00 / 50.00		47.24 / 59.00
Height / Height w/pack	in		55.55 / 63		55.55 / 63
Net weight / Gross weight	lbs		1043 / 1109		1153 / 1219
Gross volume (with packaging)	cu ft		76.6		90.3

* Program n° 20, 75 % load.



- 1- SOAP DISPENSER
- 2- EMERGENCY STOP
- 3- USB PORT
- 4- DRAIN
- 5- ELECTRICAL CONNECTION TO LIQUID SOAP PUMPS
- 6- ELECTRICAL CONNECTION
- 7- MAIN SWITCH
- 8- AUXILIAR WATER INLET
- 9- HOT WATER INLET
- 10- EQUIPOTENTIAL CONNECTION
- 11- COLD WATER INLET
- 12- BLUR OUTPUT / WATER OVER-LOAD
- 13- LIQUID SOAP CONNECTION
- 14- STEAM CONNECTION
- 15- ETHERNET PORT

	A	B	C	D	E	F	G	H	I	J	K	L	M	N	O	P	Q	R	S	T	U	V	W	X	Y	CGY	CGZ	
FWS-80C	in	38.5	42	55.6	14.6	22	5.8	24.5	44.8	51.5	44	52	47.7	2.4	2.9	4	21.5	24.6	34.8	28.2	10.3	36.1	33.7	50.4	30	54	25	26.85
FWS-100C	in	38.5	46.7	55.6	14.6	22	5.8	24.5	44.8	51.5	44	52	47.7	2.4	2.9	4	21.5	24.6	34.8	28.2	10.3	36.1	33.7	50.4	30	54	25	30

