



FWS-25 TP2 FWS-30 TP2 FWS-40 TP2

NORMAL SPIN

HARD MOUNT WASHERS

G FORCE = 200 | 25 - 30 - 40 lbs

RELIABILITY AND ROBUSTNESS

WITHIN REACH OF ALL.



FEATURES

- G Force = 200.
- Hard-mounted machines. Require anchoring to the floor.
- Drum and jacket in AISI-304 stainless steel.
- Easy-to-clean exterior panels, manufactured in skinplate with stainless steel appearance,
- Detergent tray with 4 compartments.
- 8 signals for automatic liquid dosing, programmable in time and delay.
- 6 extra signals available optionally.
- Variable-frequency drive (standard 50-60 Hz).
- Balancing systems
- New TOUCH PLUS programmer (TP2) with a 7" color touch screen, and 37 available languages. TP2 lets you create an infinite number of programs (29 pre-set), as well as play videos.
- TP2 allows programming, importing and exporting of programs and software updates via USB.
- Traceability as standard: temperatures, water levels, etc. are stored on the washer and is extractable to a PC by USB memory.
- All washers are **WET CLEANING** ready. The TP2 programmer includes the characteristics to create any Wet Cleaning program (adjustable water levels and washing speed).
- **EFFICIENT MIX.** These machines are equipped with an automatic water mixer (mixing different water temperatures) which provides energy savings and reduces washing times.
- **BALANCE CONTROL:** detects the imbalance at an early stage. This way the operation is much smoother, extending components lifetime, and saving time and energy.
- **MULTI-CHOICE INLET:** 3 standard water inlets. All washers are equipped with a third water inlet to speed filling time, for decalcified water, ozone, or recycled water.
- **MAINTENANCE KARE:** A simple design, focused in optimum accessibility; with easy-to-access mechanical and electronic parts. key to easy maintenance.
- The TP2 control provides a complete technical menu, self-diagnosis systems, alarms, restricted access areas, etc.
- **OPTIMIZED DRUM:** The special perforations in the paddles of the drum create a water cascade effect that considerably increases the mechanical action and reduces the amount of water in each wash. The effective design of the drum and tank with minimal spaces between them, reduces the energy consumption to heat the water and the excessive use of chemical products.
- **OPTIMAL CONSUMPTION.** All washers are equipped with an efficient system that sense the load weight and automatically adapts the quantity of water and chemicals needed.
- Washers compatible with water recovery tanks.
- With the TP2 control you can convert your **OPL** washer to **Coin/Vended** mode. Just add a coin mechanism kit or other payment system.RS-485 communication.

OPTIONS:

- Anchoring base.
- Exterior panels in AISI-304 stainless steel.
- Front panels in AISI-304 stainless steel.
- Double drain kit to recover water.
- NC Option: drain normally closed.
- Reversible door opening.
- 6 extra signals for dosing
- Timed opening system.
- Printer.
- Shower system: water recirculation for very delicate linen (wet cleaning complement).
- Marine electric versions.
- Protective covering for the electronics system.
- SLUICE option. Essential for fabrics with solid contamination. The Ø 8 mm perforations in the drum facilitate the removal of solid waste.



SUMMIT
SummitLaundry.com

Call 855-Summit9
Sales@SummitLaundry.com
120 Spagnoli Rd, #1B
Melville, NY 11747





TECHNICAL DATA

UNIT.

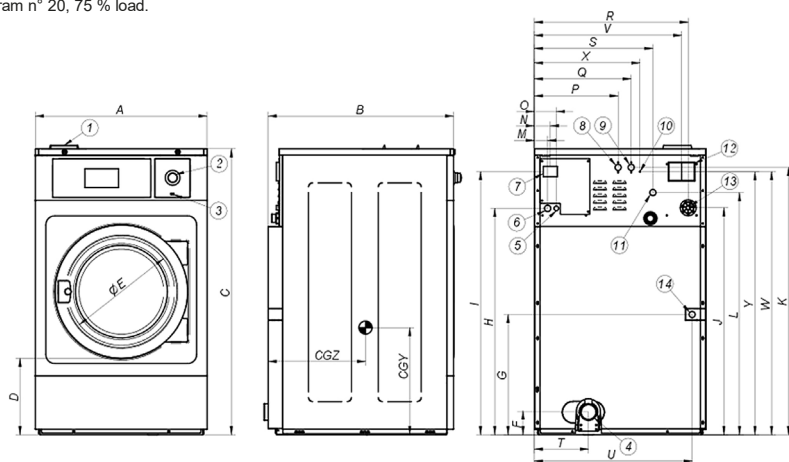
FWS - 25 TP2

FWS - 30 TP2

FWS - 40 TP2

DRUM			FWS - 25 TP2	FWS - 30 TP2	FWS - 40 TP2			
Load capacity 1:9 / 1:10	lbs		24/22	31/29	44/42			
Volume	cu ft		3.5	4.5	6			
Diameter	in		24.4	24.4	27.55			
Depth	in		13	16.92	18.50			
GENERAL DATA								
Wash speed / Spin speed	rpm		53/759	53/759	50/714			
G Force	-		200	200	200			
Maximum force transmitted	kN		2.0 ±3	2.31 ±4	2.63 ±5			
Dynamic force frequency	Hz		8.93	8.93	8.42			
Noise level	dB		< 70	< 70	< 70			
Self-service version	-		Yes	Yes	Yes			
Double drain	-		No	Opt.	Opt.			
Weighing system	-		No	No	No			
SLUICE option	-		Yes	Yes	Yes			
DOOR								
Height door centre / Height door base	in		22.00/12.20	22.44/12.20	25.78/13.70			
Diameter	in		14.68	14.68	18.11			
POWER								
Motor	Hp		1.48	1.48	2.9			
Heating electric mod.	kW		6	9	12			
Maximum electrical power	kW		6.25	9.5	12.75			
Maximum steam and hot water power	kW		1.1	1.1	2.2			
CONNECTIONS			ELECTRIC	STEAM / HOT WATER	ELECTRIC	STEAM / HOT WATER	ELECTRIC	STEAM / HOT WATER
208-240V / 50-60 Hz / 1	FLA (Amp)		32 A	6 A	50 A	6 A	63 A	10 A
208-240V / 50-60 Hz / 3	FLA (Amp)		20 A	-	32 A	-	40 A	-
440V / 50-60 Hz / 3	FLA (Amp)		16 A	-	16 A	-	20 A	-
Steam inlet (Steam mod.)	in			1/2"		1/2"		1/2"
Maximum steam consumption (Steam. mod.)	lbs/h			15.5		18.8		26.5
Water inlet	in			3/4"		3/4"		3/4"
Grid pressure	kg/cm ²			2-4		2-4		2-4
Maximum water consumption *	Gal/h			15.80		21		31.35
Drain	in			3"		3"		3"
Drainage capacity	gal/min			52.8		52.8		52.8
DIMENSIONS / DIMENSIONS WITH PACKAGING								
Width / Width	in		28.3 / 31.5	28.3 / 31.5	31 / 33			
Depth / Depth	in		26.4 / 39	32.67 / 39	33 / 39.76			
Height / Height	in		45.59 / 53.14	45.59 / 53.14	51.45 / 59			
Net weight / Gross weight	lbs		478 / 496	526 / 545	620 / 664			
Gross volume (with packaging)	cu ft		37.8	37.8	46			

* Program n° 20, 75 % load.



- ① Soap dispenser.
- ② Emergency stop.
- ③ USB port.
- ④ Drain.
- ⑤ Electrical connection to liquid soap pumps.
- ⑥ Electrical connection.
- ⑦ Main switch.
- ⑧ Auxiliary water inlet.
- ⑨ Hot water inlet.
- ⑩ Ground connection.
- ⑪ Cold water inlet.
- ⑫ Water overflow.
- ⑬ Connection for liquid soap.
- ⑭ Steam connection.

DIMENSIONS (in)	A	B	C	D	E	F	G	H	I	J	K	L	M	N	O	P	Q	R	S	T	U	V	W	X	Y	CGY	CGZ
FWS-25 TP2	28.31	26.93	45.59	12.20	14.69	5.67	17.32	34.88	41.50	35.00	42.24	37.72	2.40	2.91	3.98	12.44	14.80	25.08	18.70	8.31	25.75	23.90	42.24	16.69	44.02	15.08	20.12
FWS-30 TP2	28.31	32.68	45.59	12.20	14.69	5.67	17.32	34.88	41.50	35.00	42.24	37.72	2.40	2.91	3.98	12.44	14.80	25.08	18.70	8.31	25.75	23.90	42.24	16.69	44.02	15.08	20.12
FWS-40 TP2	31.02	33.07	51.46	13.70	18.11	4.25	21.73	40.75	47.36	40.87	48.11	43.58	2.40	2.91	3.98	15.16	17.52	27.80	21.42	9.80	28.50	26.61	47.36	19.09	47.32	18.86	21.50

